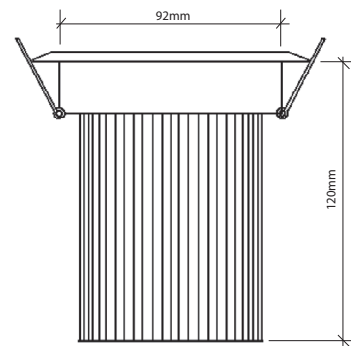


DL1720 DOWNLIGHTS

This High power downlight fitting utilises the latest LED Chip technology to give a very high lumen output together with low power consumption. Its compact size allows it to fit in place of a standard downlight with a 92mm cutout. Superior heat dissipation properties and high quality LED driver makes this downlight fitting very reliable. A great choice for any commercial lighting application.

| Product Code | Voltage (V) | Wattage (W) | Power Factor | Luminous Flux (Lm) | Beam Angle | Cutout size (mm) | Colour temp | Dimmable |
|--------------|-------------|-------------|--------------|--------------------|------------|------------------|-------------|----------|
| DL1720CW | 240V AC | 22W | >0.85 | 2160 | 130 | 90 | 6000 (CW) | Yes |
| DL1720NW | 240V AC | 22W | >0.85 | 2100 | 130 | 90 | 5000 (NW) | Yes |
| DL1720WW | 240V AC | 22W | >0.85 | 1980 | 130 | 90 | 3200 (WW) | Yes |

Note : Lights are available in silver or white finish



| BEAM ANGLE 130 DEG | | |
|--------------------|---------------|--------------|
| Distance (M) | Avg/Max (lux) | Diameter (M) |
| 1 | 114 | 4.33 |
| 1.5 | 50 | 6.51 |
| 2 | 28 | 8.67 |
| 2.5 | 18 | 10.85 |
| 3 | 12 | 13.02 |

