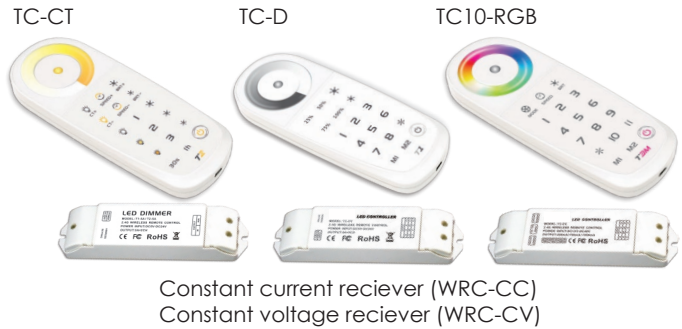
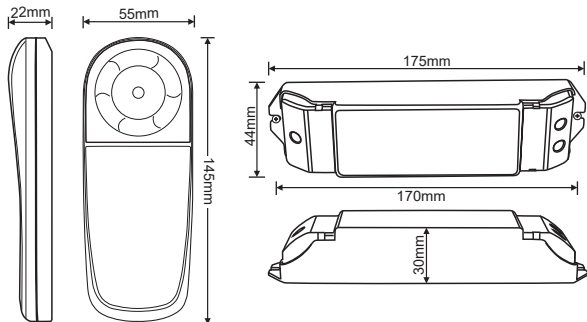
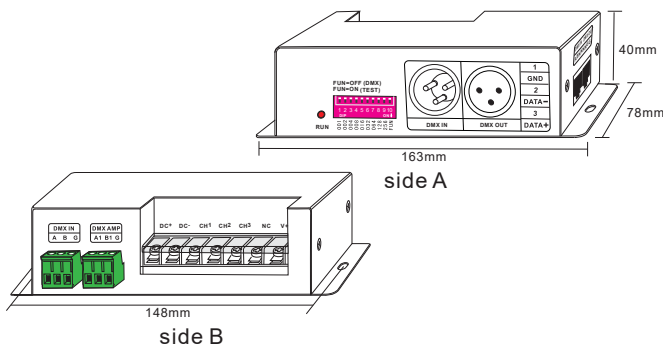


EXPANSION MODULES

This range of expansion modules operate via global 2.4GHZ RF wireless transmission technology. The modules are able to control colour temperature, dimming functions and RGB colour changing control. The control system consists of two parts, the RF remote control and the receiver. This system allows 1 controller to control an unlimited number of receiver modules and is capable of controlling a wide range of LED lighting products.



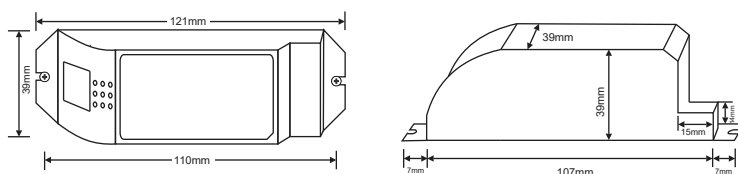
DMX-PWM Decoder works to convert universal DMX512 digital signal to PWM signal, when controlled by DMX512 console, with 256 levels gray scale output per channel. Realize 0-100% brightness and various changing effects, equipped with DMX standard XRL-3, RJ45, green terminal interface, can control single colour, two colour and RGB LED lights.



Constant voltage DMX decoder (AL-830)
Constant current DMX decoder (AL-830-350)

LED constant current and constant voltage expansion modules are suitable for use with a range of PWM controllers. By using these expansion modules this allows you to control an unlimited quantity of LED modules and strips.

1. 3 Channels RGB output, 5A/CH, total 15A.
2. Accepts PWM control signal from a range of controllers.
3. Unlimited connection quantity theoretically, unlimited power output expansion.
4. The in-phase is not restricted by any number of repeaters and are always synchronous.
5. Maximum length from controller to repeater can be 500 meters.



Constant voltage amplifier (AL-3060)
Constant current amplifier (AL-3090-350 or AL-3090-700)